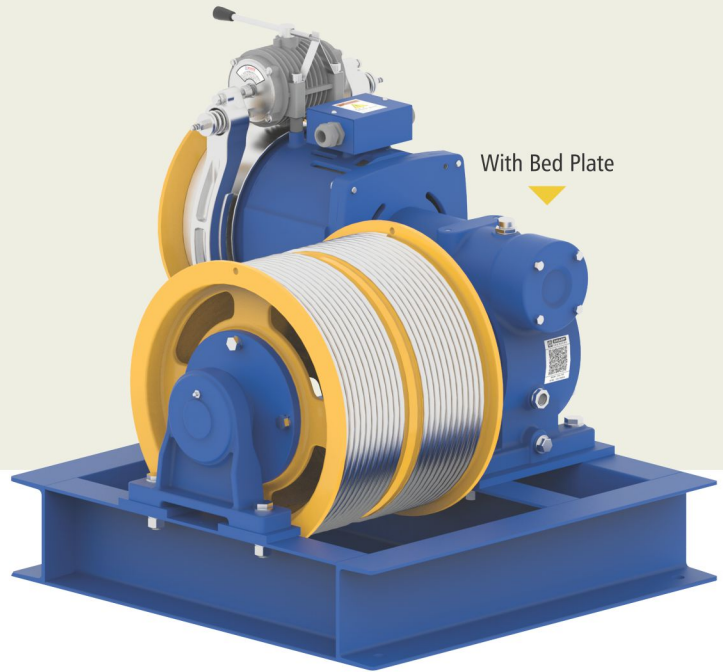


GEARED TRACTION MACHINE

Stellar 125-R1 DRUM TYPE



Max. Load
Carrying
Capacity
Including
Cabin Weight (kg)
500



Gear Ratio
1/52



Drum Dia.
400 (mm)

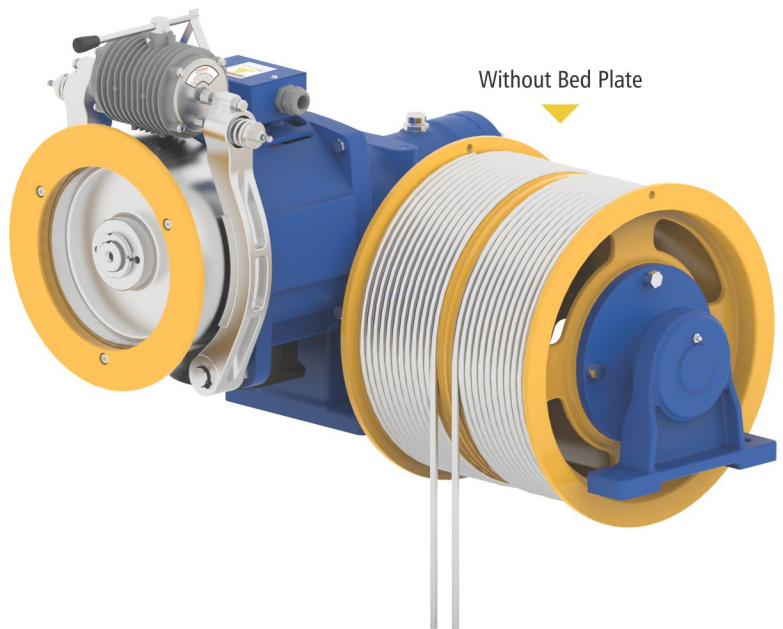


Oil Capacity (Ltr)
2.0



Weight of Machine (kg)
350* (With Bed Plate)*

* Weight of machine is varies
according to selection of
sheave, Motor & Drive system.



GEARED

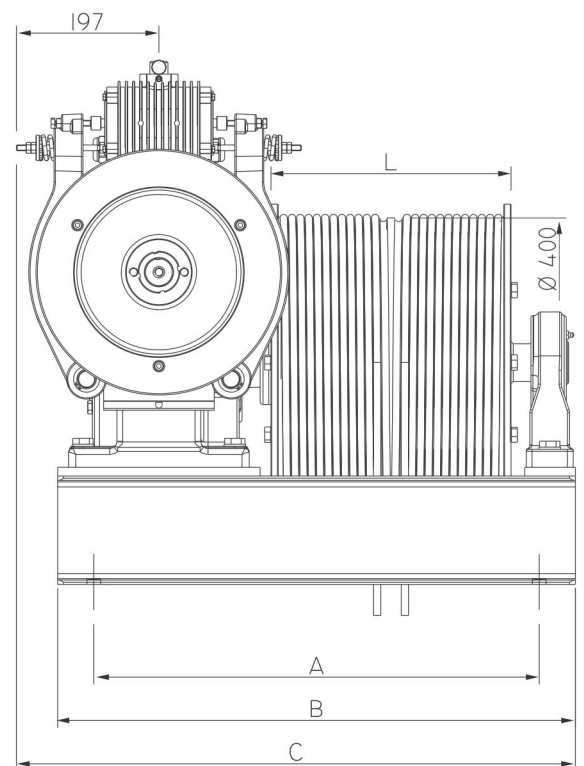
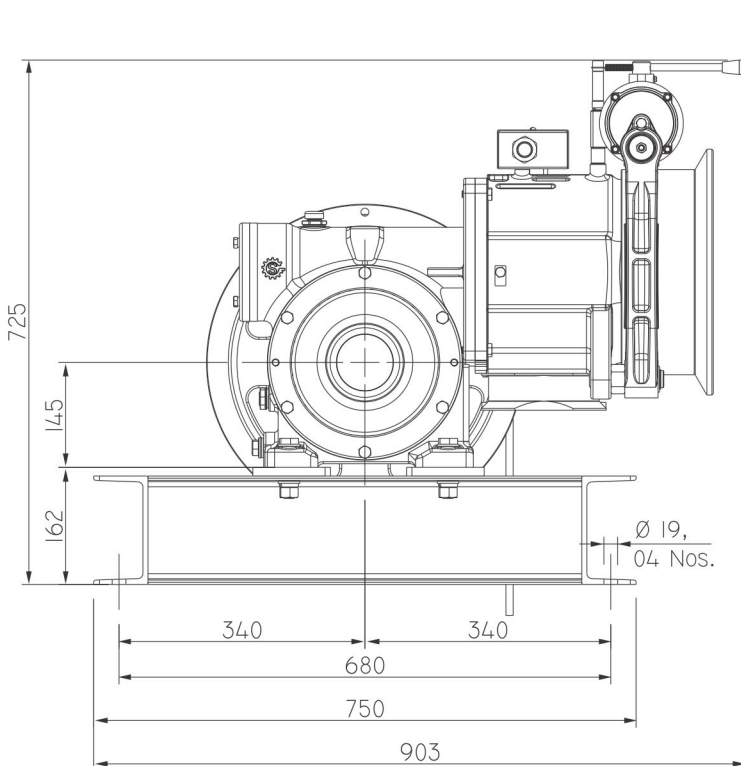
TRACTION MACHINE

Stellar 125-R1 DRUM TYPE

Roping 1:1

Machine	Max. Load Carrying Capacity Including Cabin Weight	Async. Speed	Gear Ratio	Motor Detail		RPM (Async.)	Drum Dia (mm)	Rope Dia (mm)	Ropes	Max. Travel (mtr)
	(Kg)	(m/sec)		(kw)	(HP)					
STELLAR 125 R1	500	0.57	1/52	5.5	7.5	1440	400	10	2 (1+1)	21

Travelling (mtr)	Drum L (mm)	A (mm)	B (mm)	C (mm)	N x Ø D
12	332	616	716	773	2 x Ø 10
21	498	782	882	939	2 x Ø 10



(All dimensions are in mm)