

6

5

4

3

2

1

F

E

D

D

C

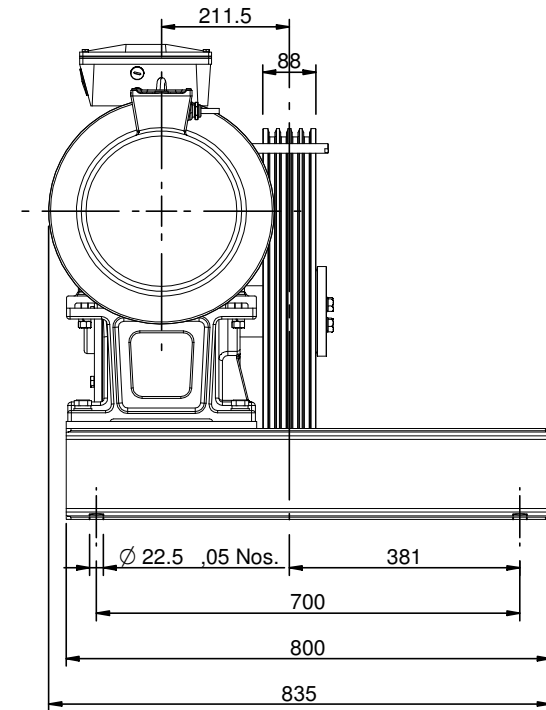
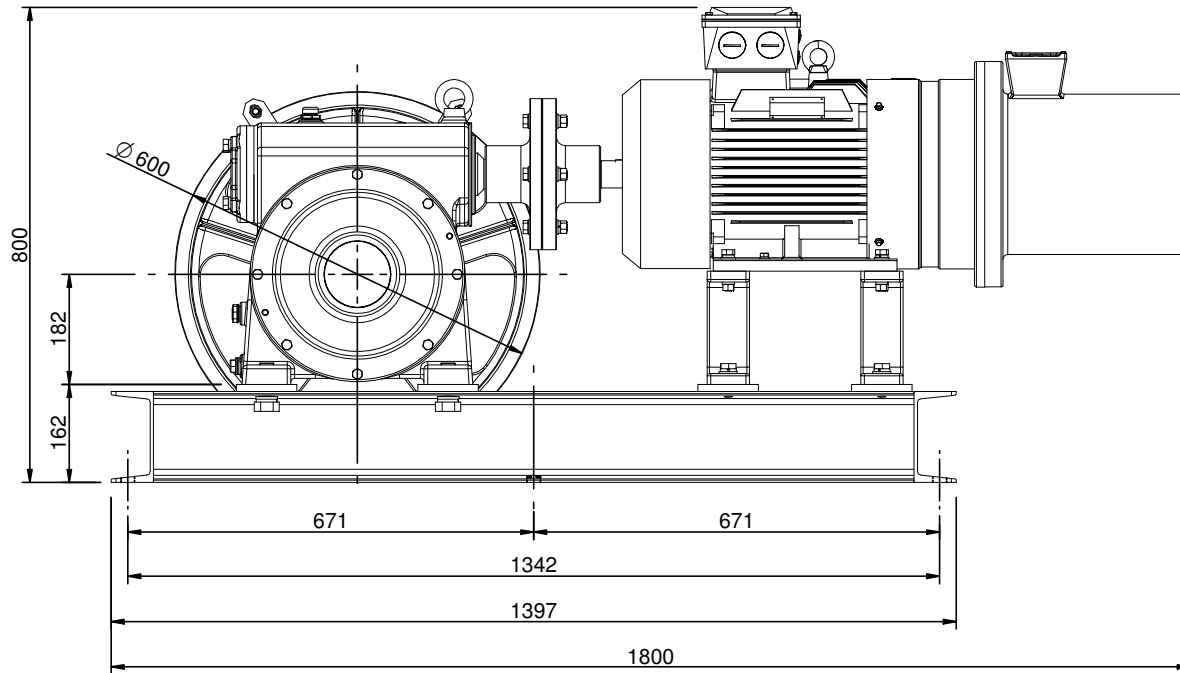
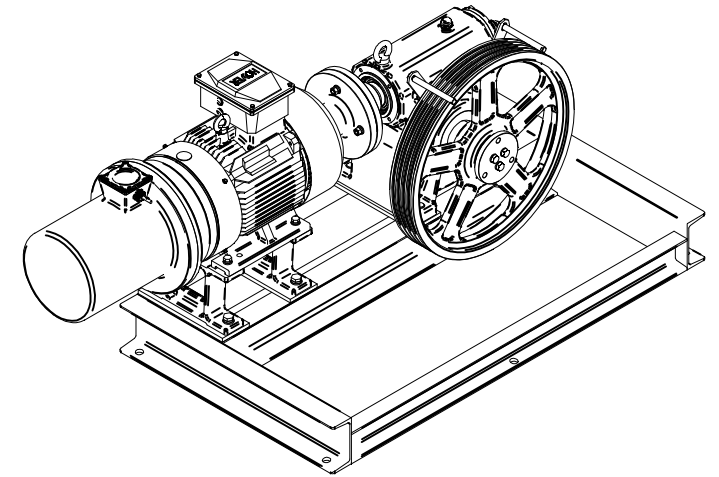
C

B

B

A

A



REVISION No.

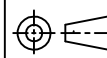
DESCRIPTION

DATE

APPROVED BY

DRWN DATE
10-07-2024SIZE
A4

SCALE



TITLE:-

ZORRO
G.A DRAWING-FLAME PROOF MOTORSHARP
ENGINEERS

6

5

4

3

2

1