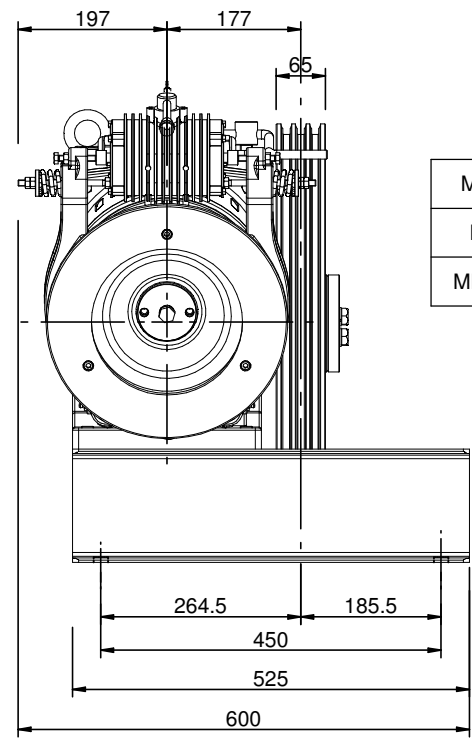
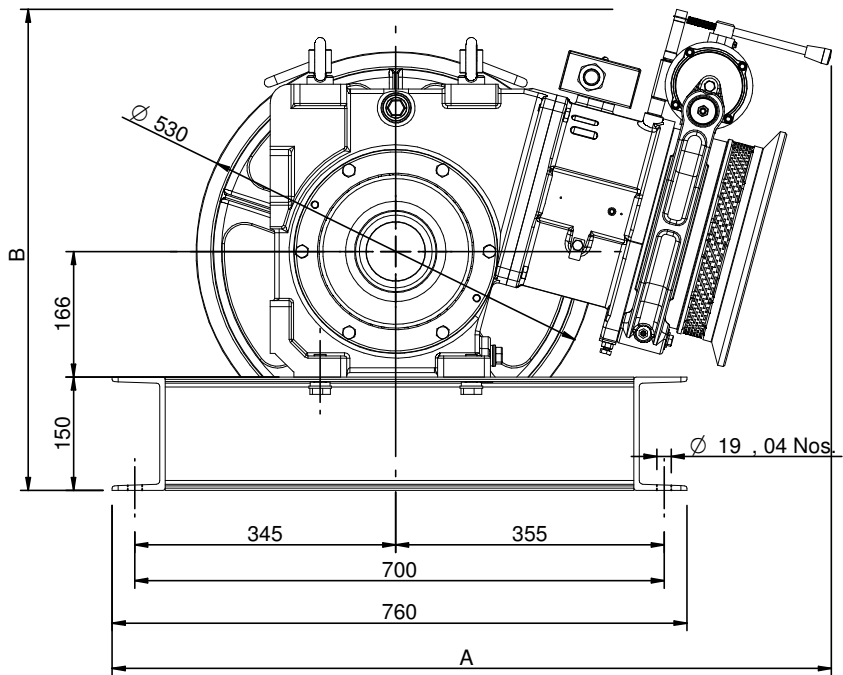
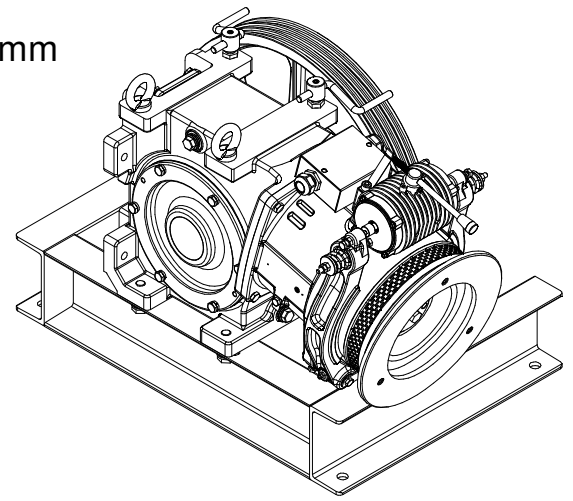


MP-61 GA DRW FOR PULLEY Ø530mm & Ø560mm



Machine	Duty Load	A	B
MP-61	408 Kg	960	650
MP-61 R1	544 Kg	1000	650

THE INFORMATION CONTAINED IN THIS DRAWING IS THE ONLY PROPERTY OF SHARP ENGINEERS
 ANY REPRODUCTION IN PART OR AS WHOLE WITHOUT THE WRITTEN PERMISSION OF SHARP
 ENGINEERS IS PROHIBITED.

REVISION No.	DESCRIPTION	DATE	APPROVED BY	DRWN BY v p	SIZE A4	SCALE 1:10	TITLE:- MP-61 G.A. DRAWING R.H. (HOR)	
				DRWN DATE 03/04/2024				