

6 5 4 3 2 1

E

D

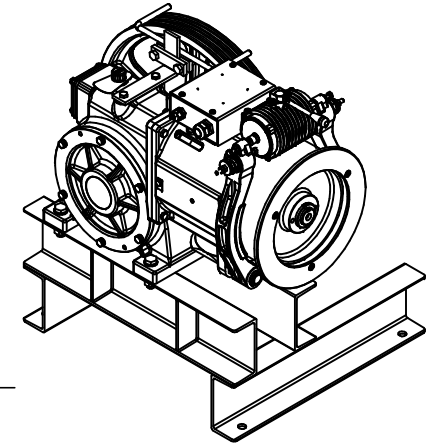
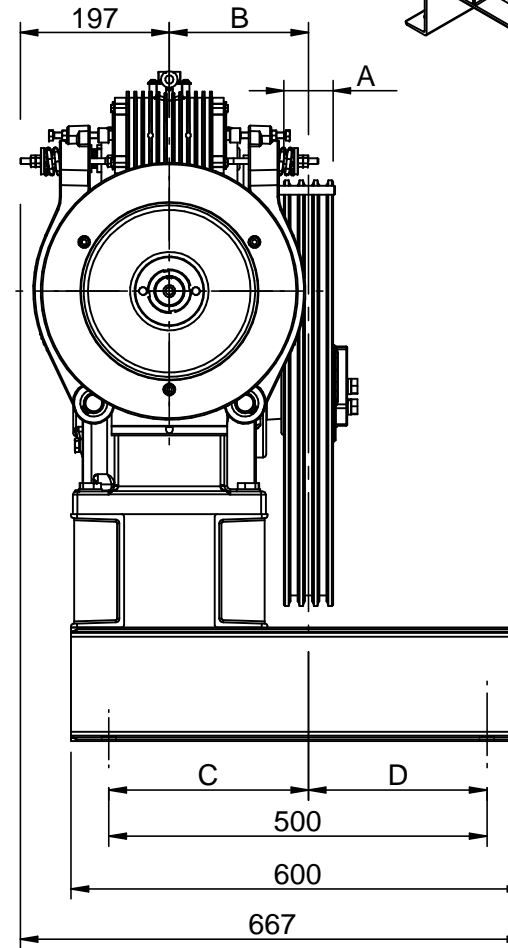
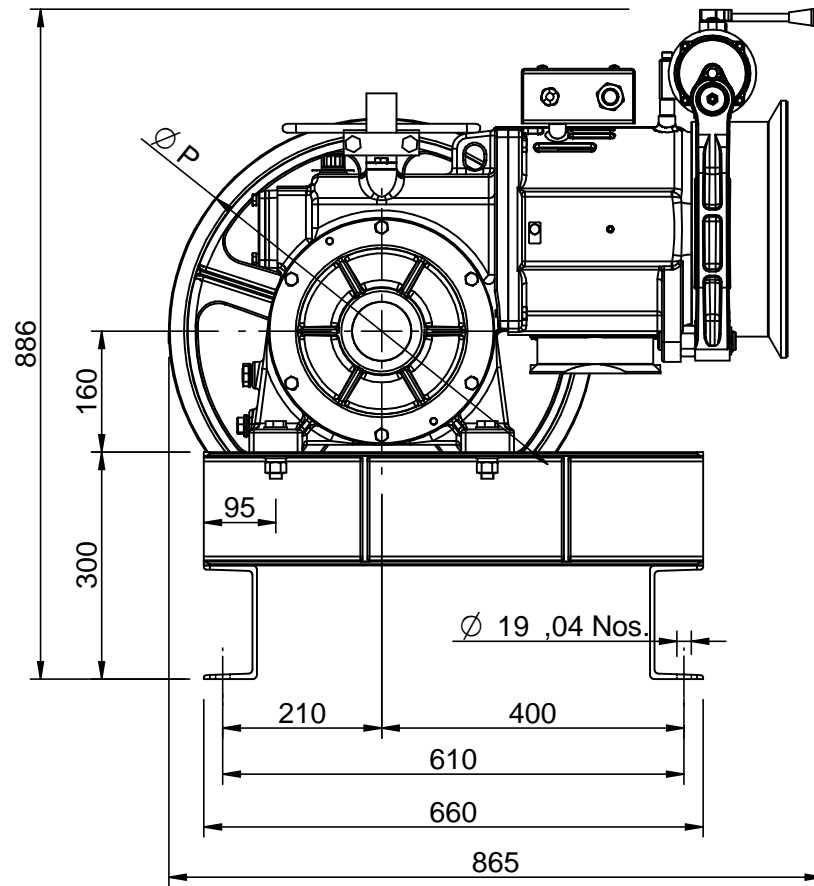
C

B

A

ALL DIMENSION ARE IN MM UNLESS OTHERWISE SPECIFIED.
 THE INFORMATION CONTAINED IN THIS DRAWING IS THE ONLY PROPERTY OF SHARP ENGINEERS
 ANY REPRODUCTION IN PART OR AS WHOLE WITHOUT THE WRITTEN PERMISSION OF SHARP
 ENGINEERS IS PROHIBITED.

Ø P	N X Ød	A	B	C	D
Ø560	3 X Ø13	65	184	264	236
Ø560	4 X Ø13	92	193	273	227



E

D

C

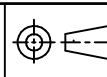
B

A

REVISION No.	DESCRIPTION	DATE	APPROVED BY	DRWN BY V P	DRWN DATE 03/04/2024
6	5	4			

SIZE
A4

SCALE
1:10



TITLE:-
TOTUS
G.A. DRAWING R.H.



6 5 4 3 2 1