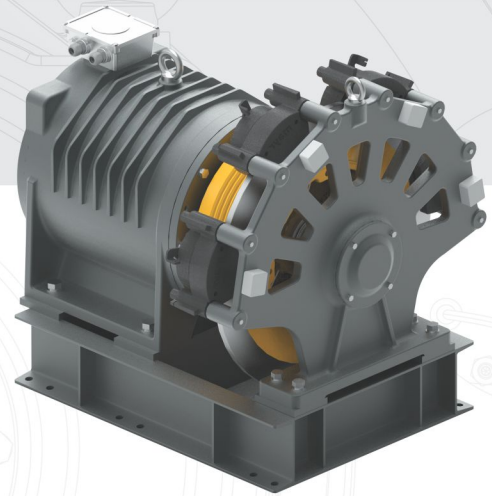




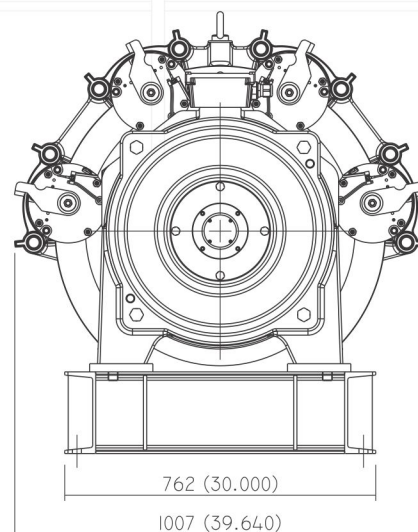
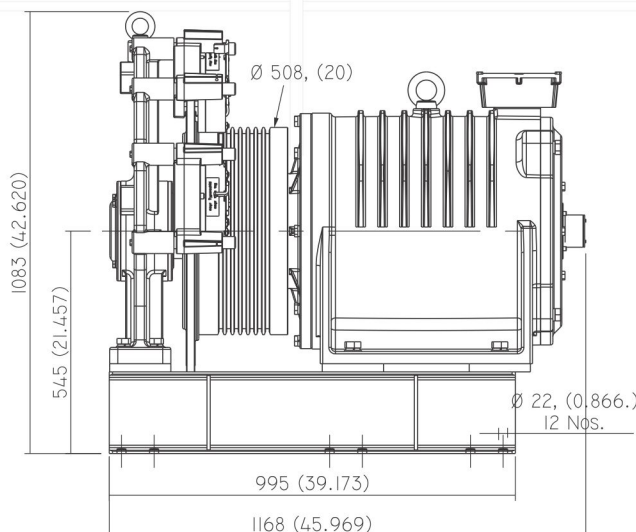
Long Wrap Machine 270 Degree Wrap Angle (3500 LBS)



SPECIFICATION		
Roping		1:1
Max. Sheave Shaft Load	lbs (Kg)	26700 (12110)
Max. Elevator Capacity 100%	lbs (Kg)	3500 (1588)
Max. Elevator Speed	fpm (m/sec)	500 (2.54)
Sheave Diameter / Rope Size/No. of Ropes	Inch	Ø20" X 1/2" X 7 Ropes
Max. Rated Power	Kw (HP)	26.7 (35.8)
Max. Rated Torque	ft-lbs (Nm)	1970 (2672)
Max. Rated Torque (125%)	ft-lbs (Nm)	2463 (3340)
Rated Voltage	V	380
Brake Torque at Sheave (125%)	ft-lbs (Nm)	2485 (3369)
Emergency Brake Torque	ft-lbs (Nm)	2485 (3369)
Machine Weight	lbs (Kg)	3350 (1520)*

* Weight of machine is varies according to selection of Sheave, Motor & Drive system.

- CSA B44.1/ASME A17.5 Certification



Subject to change without any prior notice!

All Dimension are in mm (inch).



Long Wrap Machine

270 Degree Wrap Angle
(3500 LBS)

MACHINE DUTY TABLE :

ROPING : 1:1

BALANCING : 40%

Description	Elevator Duty		Car Speed		Rated Power		Rated Speed	Rated Freq.	Rated Voltage	Rated Current	Rated Torque		Main Sheave
	(lbs)	(Kg)	(fpm)	(m/sec)	(HP)	(kW)	(RPM)	(Hz)		(A)	(Nm)	(ft/lbs)	
SEGX73515020L	3500	1588	150	0.76	10.7	8.0	29	5.7	380	45.0	2672	1970	Ø20" x 1/2" x 7 Groove
SEGX73520020L	3500	1588	200	1.02	14.5	10.8	38	7.7	380	45.0	2672	1970	
SEGX73525020L	3500	1588	250	1.27	18.0	13.4	48	9.6	380	45.0	2672	1970	
SEGX73530020L	3500	1588	300	1.52	21.5	16.0	57	11.4	380	55.0	2672	1970	
SEGX73535020L	3500	1588	350	1.78	25.08	18.7	67	13.4	380	55.0	2672	1970	
SEGX73540020L	3500	1588	400	2.03	28.6	21.3	76	15.2	380	64.0	2672	1970	
SEGX73545020L	3500	1588	450	2.29	32.3	24.1	86	17.2	380	64.0	2672	1970	
SEGX73550020L	3500	1588	500	2.54	35.8	26.7	96	19.1	380	64.0	2672	1970	