

32

YEARS

Journey to Excellence

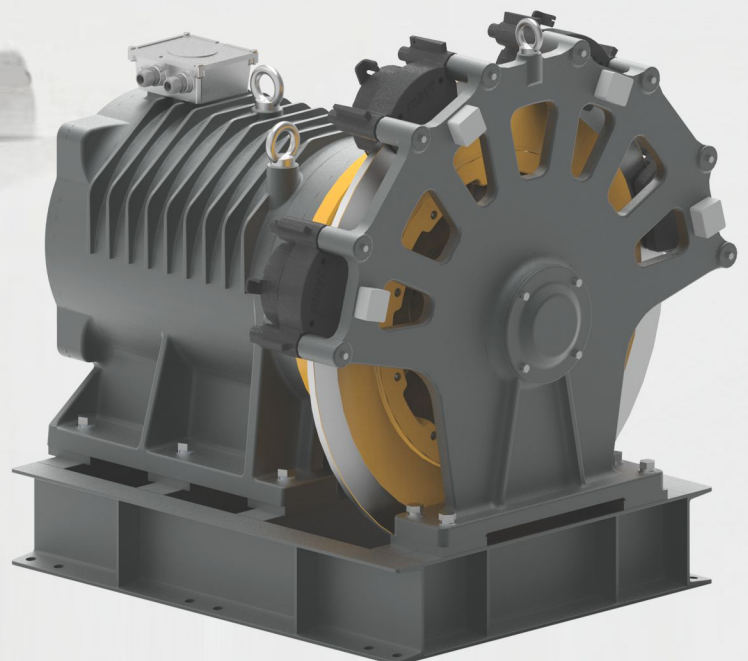


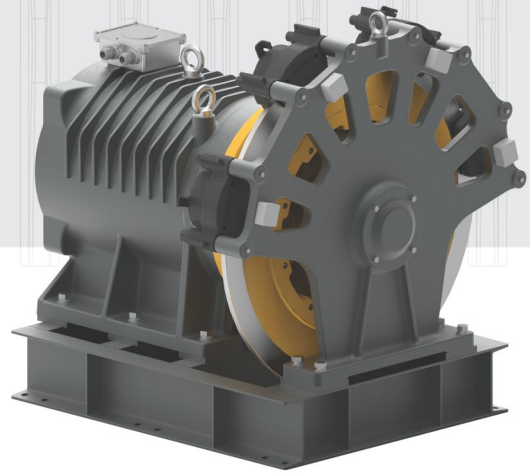
SHARPTM
ENGINEERS

Quality

That Inspires Trust

SEG-X7
GEARLESS MACHINE



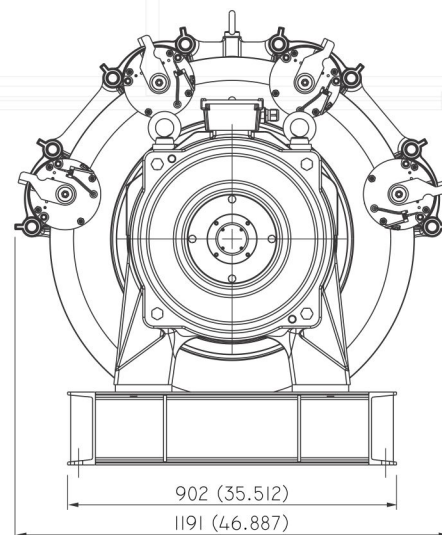
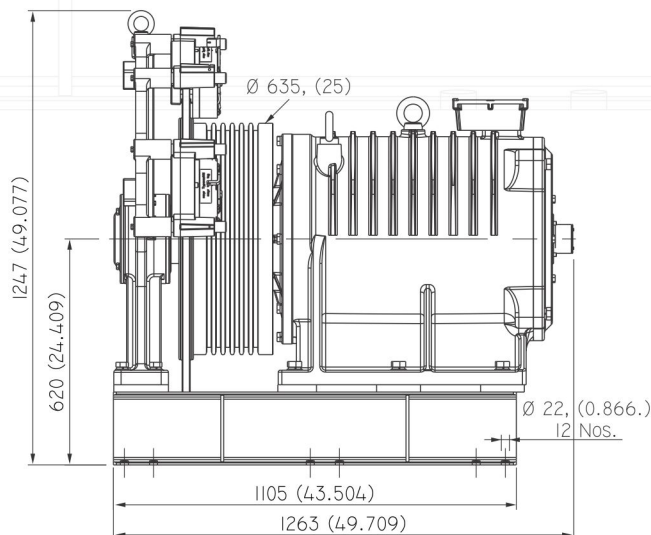


SPECIFICATION

Roping		1:1
Max. Sheave shaft Load	lbs (Kg)	26700 (12110)
Max. Elevator Capacity 100%	lbs (Kg)	3500 (1588)
Max. Elevator Speed	fpm (m/sec)	500 (2.54)
Sheave Diameter / Rope Size / No. of Ropes	Inch	Ø25" X 5/8" X 6 Ropes
Max. Rated Power	Kw (HP)	26.7 (35.8)
Max. Rated Torque	ft-lbs (Nm)	2463 (3339)
Max. Rated Torque (125%)	ft-lbs (Nm)	3079 (4174)
Rated Voltage	V	380
Brake Torque at Sheave (125%)	ft-lbs (Nm)	3128 (4241)
Emergency Brake Torque	ft-lbs (Nm)	3128 (4241)
Machine Weight	lbs (Kg)	4200 (1905)*

* Weight of machine is varies according to selection of Sheave, Motor & Drive system.

- CSA B44.1/ASME A17.5 Certification



Subject to change without any prior notice!

All Dimension are in mm (inch).



MACHINE DUTY TABLE :

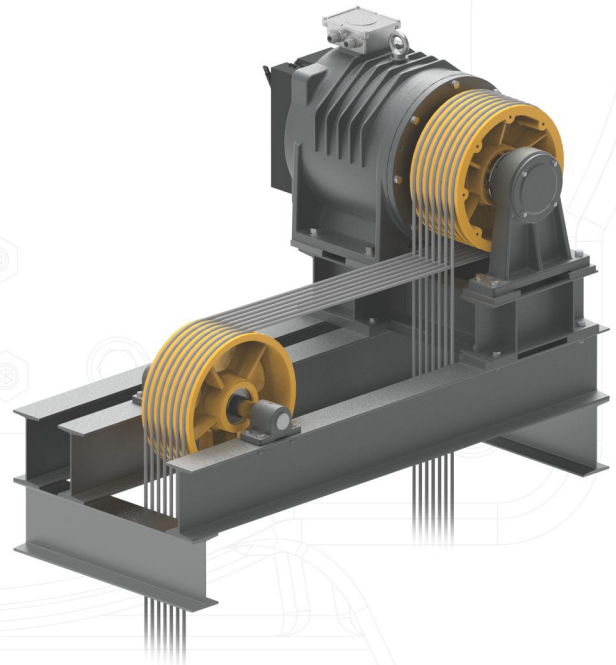
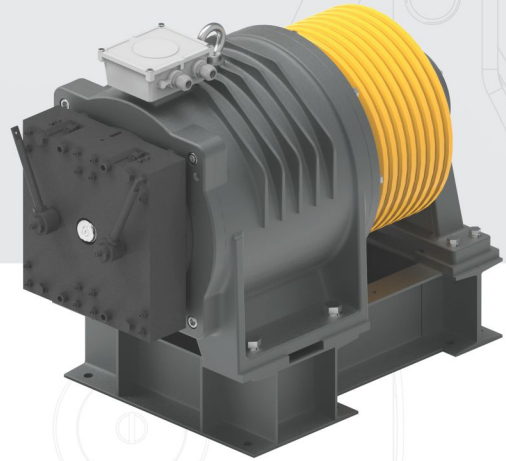
ROPING : 1:1

BALANCING : 40%

Description	Elevator Duty		Car Speed		Rated Power		Rated Speed	Rated Freq.	Rated Voltage	Rated Current	Rated Torque		Main Sheave
	(lbs)	(Kg)	(fpm)	(m/sec)	(HP)	(kW)	(RPM)	(Hz)		(A)	(Nm)	(ft/lbs)	
SEGX72515025	2500	1134	150	0.76	8.0	5.9	23	4.5	380	38.0	2479	1828	Ø25" x 5/8" x 6 Groove OR Ø25" x 1/2" x 7 Groove
SEGX72520025	2500	1134	200	1.02	10.7	8.0	31	6.1	380	38.0	2479	1828	
SEGX72525025	2500	1134	250	1.27	13.3	9.9	38	7.6	380	38.0	2479	1828	
SEGX72530025	2500	1134	300	1.52	15.9	11.9	46	9.0	380	38.0	2479	1828	
SEGX72535025	2500	1134	350	1.78	18.6	13.9	54	10.7	380	38.0	2479	1828	
SEGX72540025	2500	1134	400	2.03	21.2	15.8	61	12.2	380	51.0	2479	1828	
SEGX72545025	2500	1134	450	2.29	24.0	17.9	69	13.8	380	51.0	2479	1828	
SEGX72550025	2500	1134	500	2.54	26.6	19.8	76	15.3	380	51.0	2479	1828	
SEGX73515025	3500	1588	150	0.76	10.7	8.0	23	4.5	380	50.0	3339	2463	Ø25" x 5/8" x 6 Groove
SEGX73520025	3500	1588	200	1.02	14.5	10.8	31	6.1	380	50.0	3339	2463	
SEGX73525025	3500	1588	250	1.27	18.0	13.4	38	7.6	380	50.0	3339	2463	
SEGX73530025	3500	1588	300	1.52	21.5	16.0	46	9.0	380	50.0	3339	2463	
SEGX73535025	3500	1588	350	1.78	25.08	18.7	54	10.7	380	50.0	3339	2463	
SEGX73540025	3500	1588	400	2.03	28.6	21.3	61	12.2	380	64.0	3339	2463	
SEGX73545025	3500	1588	450	2.29	32.3	24.0	69	13.8	380	64.0	3339	2463	
SEGX73550025	3500	1588	500	2.54	35.8	26.7	76	15.3	380	64.0	3339	2463	



Long Wrap Machine 270 Degree Wrap Angle (2500 LBS)

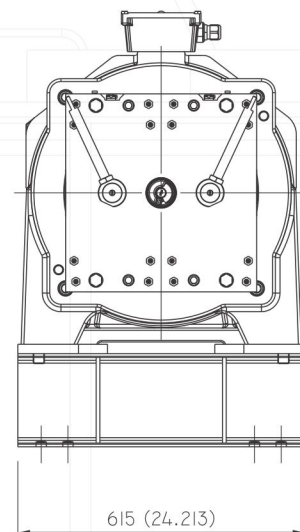
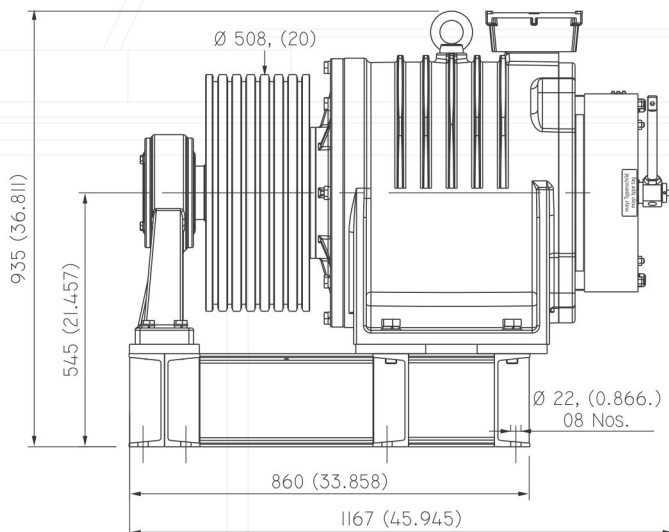


SPECIFICATION

Roping		1:1
Max. Sheave shaft Load	lbs (Kg)	26700 (12110)
Max. Elevator Capacity 100%	lbs (Kg)	2500 (1134)
Max. Elevator Speed	fpm (m/sec)	500 (2.54)
Sheave Diameter / Rope Size / No. of Ropes	Inch	Ø20" X 1/2" X 7 Ropes
Max. Rated Power	Kw (HP)	19.8 (26.6)
Max. Rated Torque	ft-lbs (Nm)	1463 (1984)
Max. Rated Torque (125%)	ft-lbs (Nm)	1829 (2480)
Rated Voltage	V	380
Brake Torque at Sheave (125%)	ft-lbs (Nm)	1829 (2480)
Machine Weight	lbs (Kg)	2744 (1245)*

* Weight of machine is varies according to selection of Sheave, Motor & Drive system.

- CSA B44.1/ASME A17.5 Certification



Subject to change without any prior notice!

All Dimension are in mm (inch).



Long Wrap Machine

270 Degree Wrap Angle
 (2500 LBS)

MACHINE DUTY TABLE :

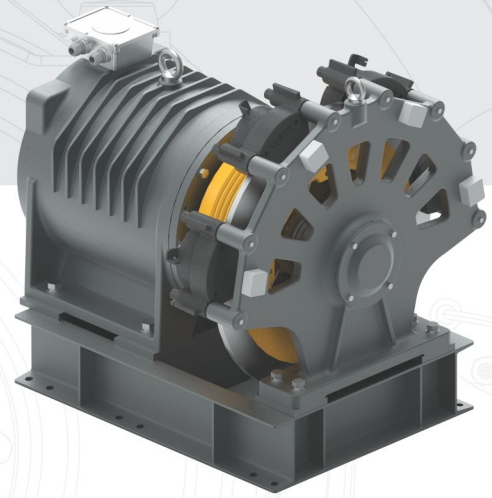
ROPING : 1:1

BALANCING : 40%

Description	Elevator Duty		Car Speed		Rated Power		Rated Speed	Rated Freq.	Rated Voltage	Rated Current	Rated Torque		Main Sheave
	(lbs)	(Kg)	(fpm)	(m/sec)	(HP)	(kW)	(RPM)	(Hz)		(A)	(Nm)	(ft/lbs)	
SEGX72515020L	2500	1134	150	0.76	8.0	5.9	29	5.7	380	35.0	1984	1463	Ø20" x 1/2" x 7 Groove
SEGX72520020L	2500	1134	200	1.02	10.7	8.0	38	7.7	380	35.0	1984	1463	
SEGX72525020L	2500	1134	250	1.27	13.3	10.0	48	9.6	380	35.0	1984	1463	
SEGX72530020L	2500	1134	300	1.52	15.9	11.9	57	11.4	380	38.0	1984	1463	
SEGX72535020L	2500	1134	350	1.78	18.6	13.9	67	13.4	380	38.0	1984	1463	
SEGX72540020L	2500	1134	400	2.03	21.2	15.8	76	15.2	380	51.0	1984	1463	
SEGX72545020L	2500	1134	450	2.29	24.0	17.9	86	17.2	380	51.0	1984	1463	
SEGX72550020L	2500	1134	500	2.54	26.6	19.8	96	19.1	380	51.0	1984	1463	



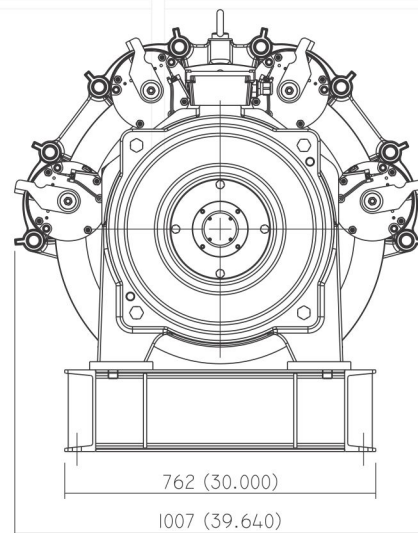
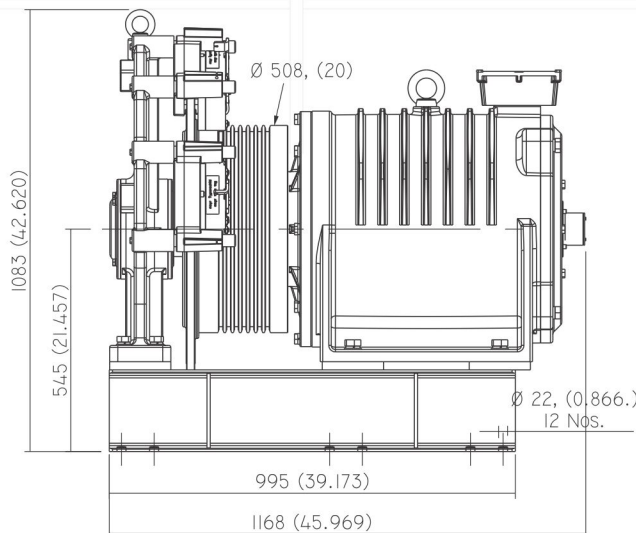
Long Wrap Machine 270 Degree Wrap Angle (3500 LBS)



SPECIFICATION		
Roping		1:1
Max. Sheave Shaft Load	lbs (Kg)	26700 (12110)
Max. Elevator Capacity 100%	lbs (Kg)	3500 (1588)
Max. Elevator Speed	fpm (m/sec)	500 (2.54)
Sheave Diameter / Rope Size/No. of Ropes	Inch	Ø20" X 1/2" X 7 Ropes
Max. Rated Power	Kw (HP)	26.7 (35.8)
Max. Rated Torque	ft-lbs (Nm)	1970 (2672)
Max. Rated Torque (125%)	ft-lbs (Nm)	2463 (3340)
Rated Voltage	V	380
Brake Torque at Sheave (125%)	ft-lbs (Nm)	2485 (3369)
Emergency Brake Torque	ft-lbs (Nm)	2485 (3369)
Machine Weight	lbs (Kg)	3350 (1520)*

* Weight of machine is varies according to selection of Sheave, Motor & Drive system.

- CSA B44.1/ASME A17.5 Certification



Subject to change without any prior notice!

All Dimension are in mm (inch).



Long Wrap Machine

270 Degree Wrap Angle
 (3500 LBS)

MACHINE DUTY TABLE :

ROPING : 1:1

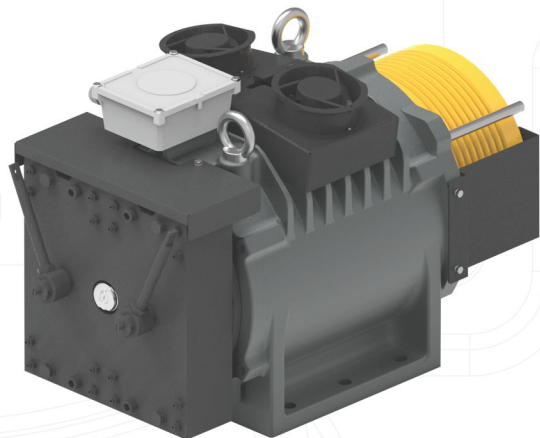
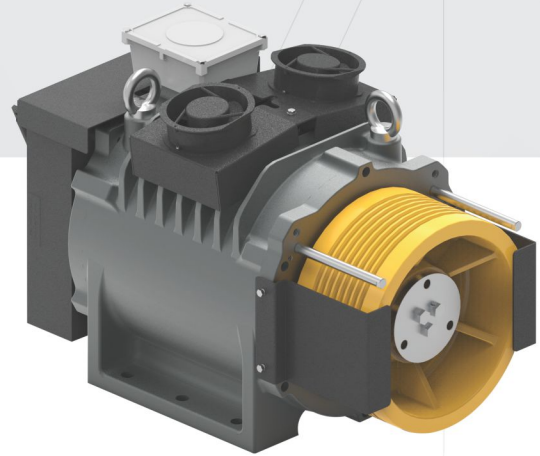
BALANCING : 40%

Description	Elevator Duty		Car Speed		Rated Power		Rated Speed	Rated Freq.	Rated Voltage	Rated Current	Rated Torque		Main Sheave
	(lbs)	(Kg)	(fpm)	(m/sec)	(HP)	(kW)	(RPM)	(Hz)		(A)	(Nm)	(ft/lbs)	
SEGX73515020L	3500	1588	150	0.76	10.7	8.0	29	5.7	380	45.0	2672	1970	Ø20" x 1/2" x 7 Groove
SEGX73520020L	3500	1588	200	1.02	14.5	10.8	38	7.7	380	45.0	2672	1970	
SEGX73525020L	3500	1588	250	1.27	18.0	13.4	48	9.6	380	45.0	2672	1970	
SEGX73530020L	3500	1588	300	1.52	21.5	16.0	57	11.4	380	55.0	2672	1970	
SEGX73535020L	3500	1588	350	1.78	25.08	18.7	67	13.4	380	55.0	2672	1970	
SEGX73540020L	3500	1588	400	2.03	28.6	21.3	76	15.2	380	64.0	2672	1970	
SEGX73545020L	3500	1588	450	2.29	32.3	24.1	86	17.2	380	64.0	2672	1970	
SEGX73550020L	3500	1588	500	2.54	35.8	26.7	96	19.1	380	64.0	2672	1970	



MRL

180 Degree Wrap

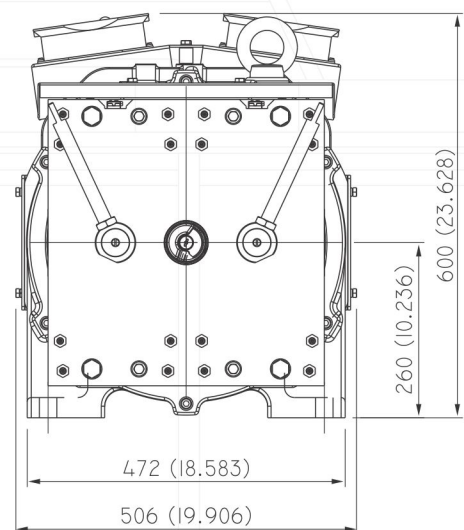
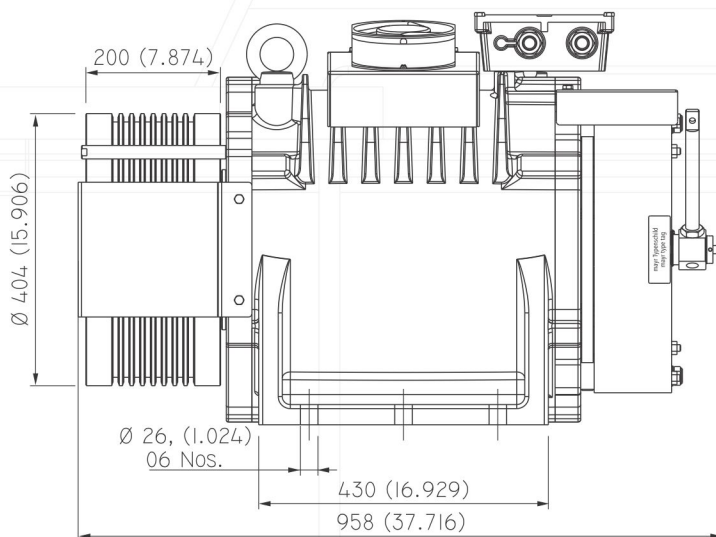


SPECIFICATION

Roping		2:1
Max. Sheave shaft Load	lbs (Kg)	21500 (9752)
Max. Elevator Capacity 100%	lbs (Kg)	4500 (2041)
Max. Elevator Speed	fpm (m/sec)	400 (2.03)
Sheave Diameter / Rope Size / No. of Ropes	mm	Ø400 X Ø10mm X 8 Ropes
Max. Rated Power	Kw (HP)	27.6 (37.0)
Max. Rated Torque	ft-lbs (Nm)	1003 (1360)
Max. Rated Torque (125%)	ft-lbs (Nm)	1254 (1700)
Rated Voltage	V	380
Brake Torque at Sheave (125%)	ft-lbs (Nm)	1264 (1713)
Emergency Brake Torque	ft-lbs (Nm)	1264 (1713)
Machine Weight	lbs (Kg)	1770 (803)*

* Weight of machine is varies according to selection of Sheave, Motor & Drive system.

- CSA B44.1/ASME A17.5 Certification



Subject to change without any prior notice!

All Dimension are in mm (inch).



MRL 180 Degree Wrap

MACHINE DUTY TABLE :

ROPING : 2:1

BALANCING : 50%

Description	Elevator Duty		Car Speed		Rated Power		Rated Speed	Rated Freq.	Rated Voltage	Rated Current	Rated Torque		Main Sheave
	(lbs)	(Kg)	(fpm)	(m/sec)	(HP)	(kW)	(RPM)	(Hz)		(A)	(Nm)	(ft/lbs)	
SEGX72515020MRL	2500	1134	150	0.76	7.8	5.8	72	14.5	380	14.0	760	560	Ø400mm x 10mm x 8 Groove
SEGX72520020MRL	2500	1134	200	1.02	10.4	7.8	97	19.5	380	19.0	760	560	
SEGX72525020MRL	2500	1134	250	1.27	13.0	9.7	121	24.3	380	23.0	760	560	
SEGX72530020MRL	2500	1134	300	1.52	15.5	11.6	145	29.0	380	27.0	760	560	
SEGX72535020MRL	2500	1134	350	1.78	18.2	13.6	170	34	380	32.0	760	560	
SEGX72540020MRL	2500	1134	400	2.03	20.8	15.5	194	38.8	380	36.0	760	560	

SEGX73515020MRL	3500	1588	150	0.76	10.7	8.0	72	14.5	380	21.0	1050	775	Ø400mm x 10mm x 8 Groove
SEGX73520020MRL	3500	1588	200	1.02	14.4	10.7	97	19.5	380	27.0	1050	775	
SEGX73525020MRL	3500	1588	250	1.27	17.9	13.4	121	24.3	380	33.0	1050	775	
SEGX73530020MRL	3500	1588	300	1.52	21.5	16.0	145	29.0	380	40.0	1050	775	
SEGX73535020MRL	3500	1588	350	1.78	25.1	18.7	170	34	380	45.0	1050	775	
SEGX73540020MRL	3500	1588	400	2.03	28.7	21.4	194	38.8	380	51.0	1050	775	

SEGX74515020MRL	4500	2041	150	0.76	13.9	10.4	72	14.5	380	25.0	1360	1003	Ø400mm x 10mm x 8 Groove
SEGX74520020MRL	4500	2041	200	1.02	18.6	13.9	97	19.5	380	33.0	1360	1003	
SEGX74525020MRL	4500	2041	250	1.27	23.2	17.3	121	24.3	380	40.0	1360	1003	
SEGX74530020MRL	4500	2041	300	1.52	27.8	20.7	145	29.0	380	48.0	1360	1003	
SEGX74535020MRL	4500	2041	350	1.78	32.5	24.2	170	34	380	56.0	1360	1003	
SEGX74540020MRL	4500	2041	400	2.03	37.0	27.6	194	38.8	380	60.0	1360	1003	



SCAN ME



Follow Us



📍 552, 'A' Road, Cross Road-12,
G.I.D.C. Kathwada, Ahmedabad - 382430.
Gujarat, India.

☎ + 91 79 2290 1711, 12,14, 15.

☎ +91 97129 11912, 82670 08900

✉ info@sharpengineers.com
sales@sharpengineers.com

🌐 www.sharpengineers.com